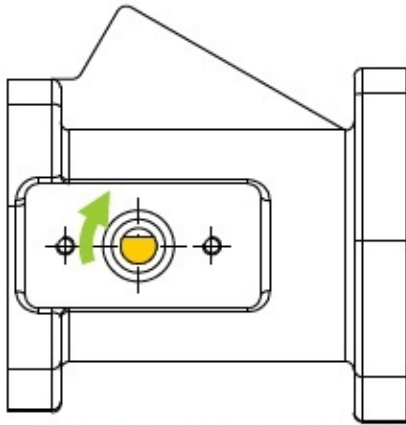


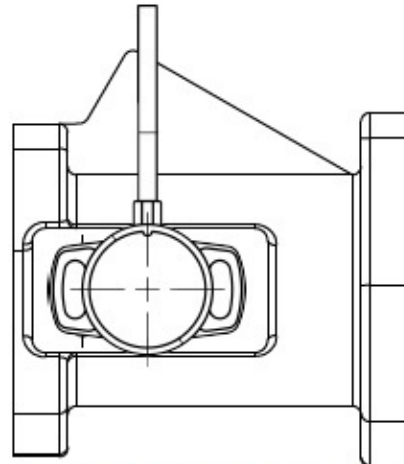
THROTTLE SHAFT ROTATES  
**CLOCKWISE**  
 FROM CLOSED TO OPEN



D-SHAFT ORIENTATION AT  
 CLOSED THROTTLE  
 (FLAT AT TOP OF SHAFT)  
**SHAFT TURNS CLOCKWISE  
 AS THROTTLE OPENS**

WIRING FOR **CLOCKWISE-TO-OPEN**  
 ROTATION

Green		+5V
Yellow		Signal
Blue		Ground

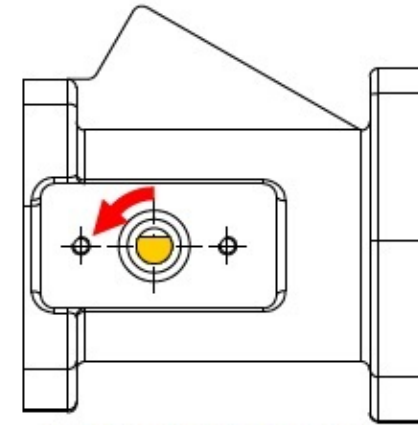


TPS MOUNTING ORIENTATION

SENSOR SPECIFICATIONS

Closed Throttle -	1.2V Nominal
Open Throttle -	4.2V Nominal
Operating Voltage -	5V +/-0.5V

THROTTLE SHAFT ROTATES  
**COUNTER-CLOCKWISE**  
 FROM CLOSED TO OPEN



D-SHAFT ORIENTATION AT  
 CLOSED THROTTLE  
 (FLAT AT TOP OF SHAFT)  
**SHAFT TURNS COUNTER-CLOCKWISE  
 AS THROTTLE OPENS**

WIRING FOR **COUNTER-CLOCKWISE-  
 TO-OPEN** ROTATION

Red		+5V
White		Signal
Black		Ground